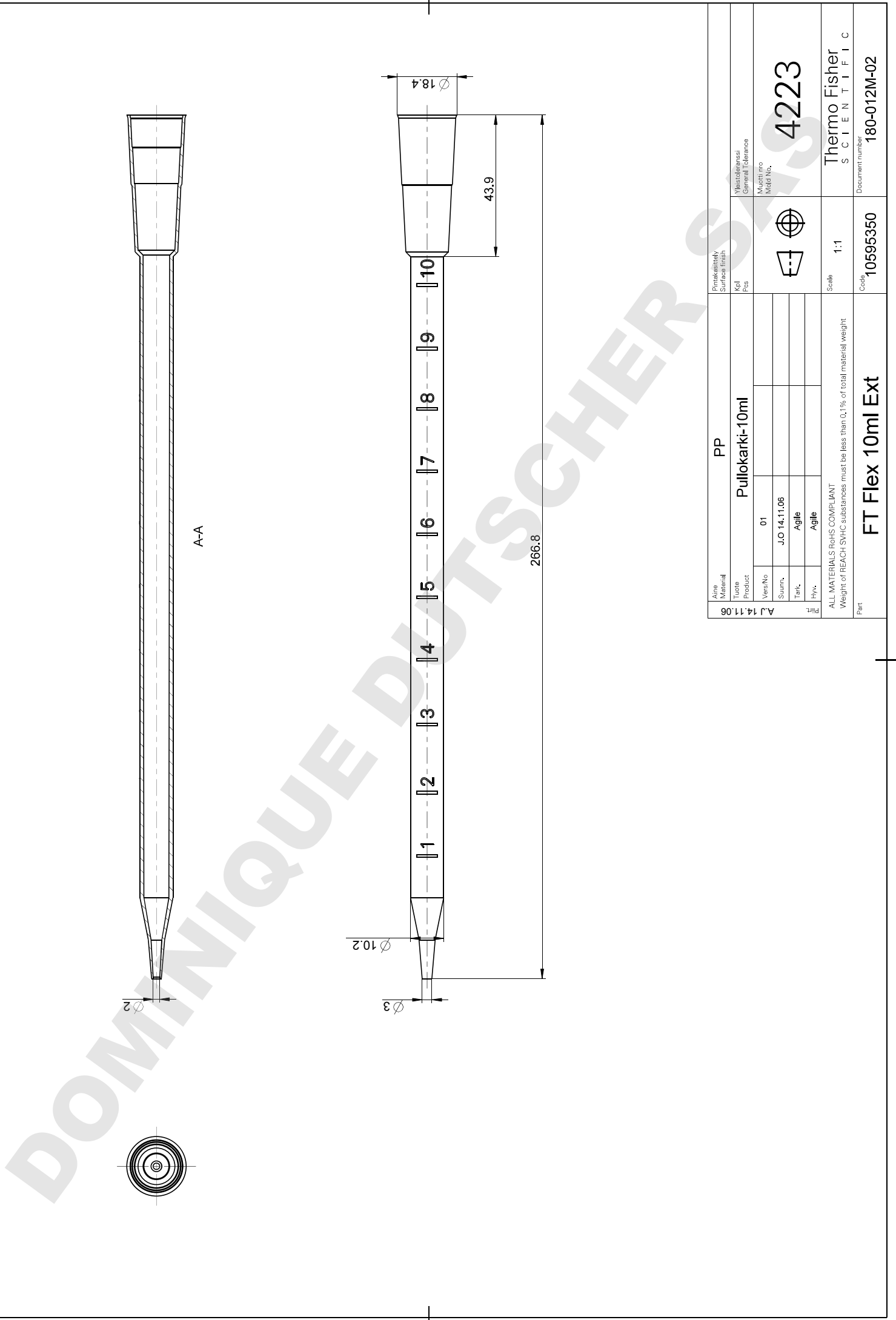
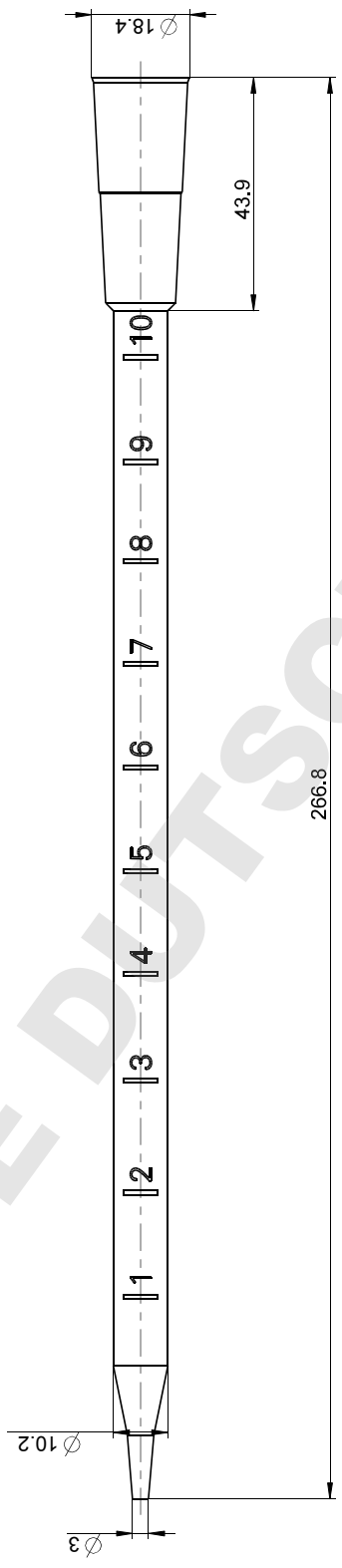


A-A



Alme Material	PP			Pinnakshikhy Surface finish	Materialinansi General tolerance
Tuote Product	Pullokarki-10ml			Kyl Pos	Muotti nro Mold No.
Versiono	01				4223
Suunn.	JJO 14.11.06				
Tark.	Agile				
Hyv.	Agile				
Fit					
ALL MATERIALS REHS COMPLIANT Weight of REACH SVHC substances must be less than 0,1% of total material weight					
Part	FT Flex 10ml Ext			Scale	1:1
				Code	10595350
				Document number	180-012M-02